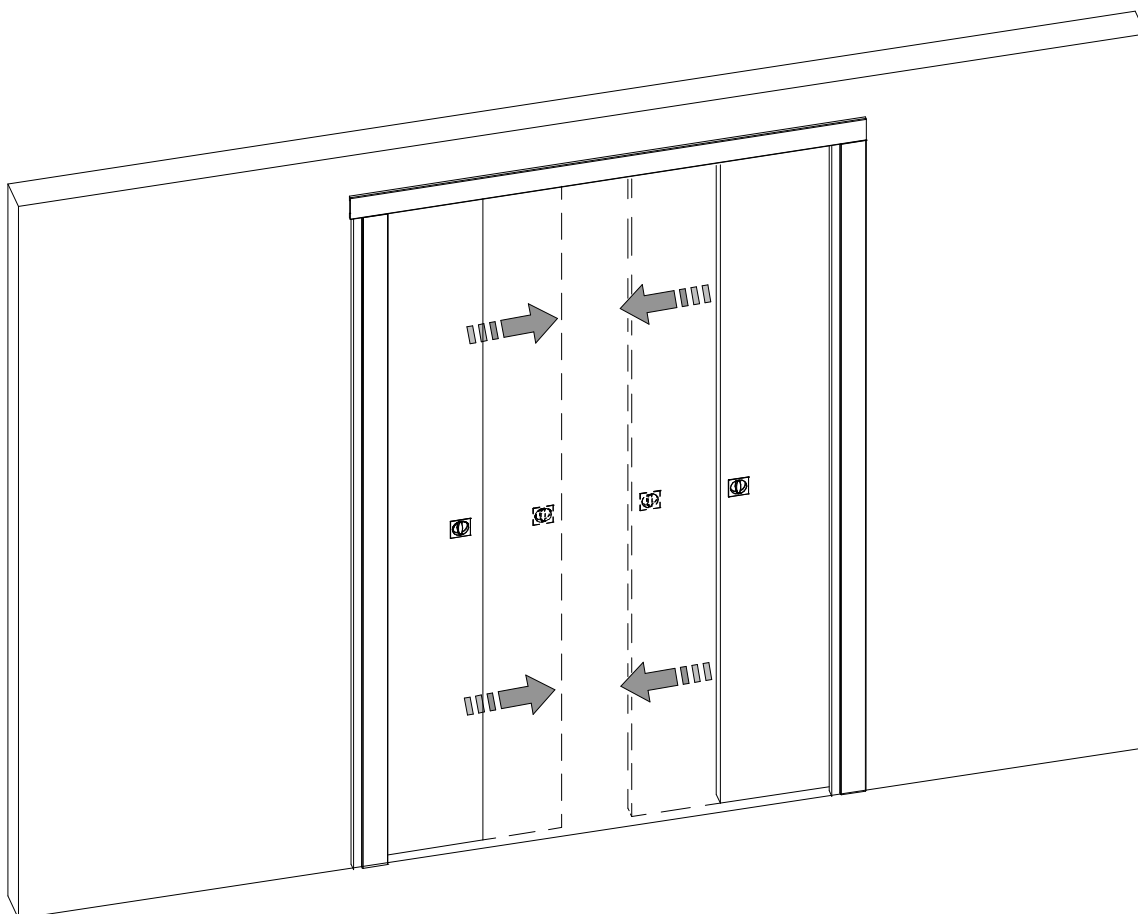


**Ermetika**<sup>®</sup>  
INSIDE WALLS

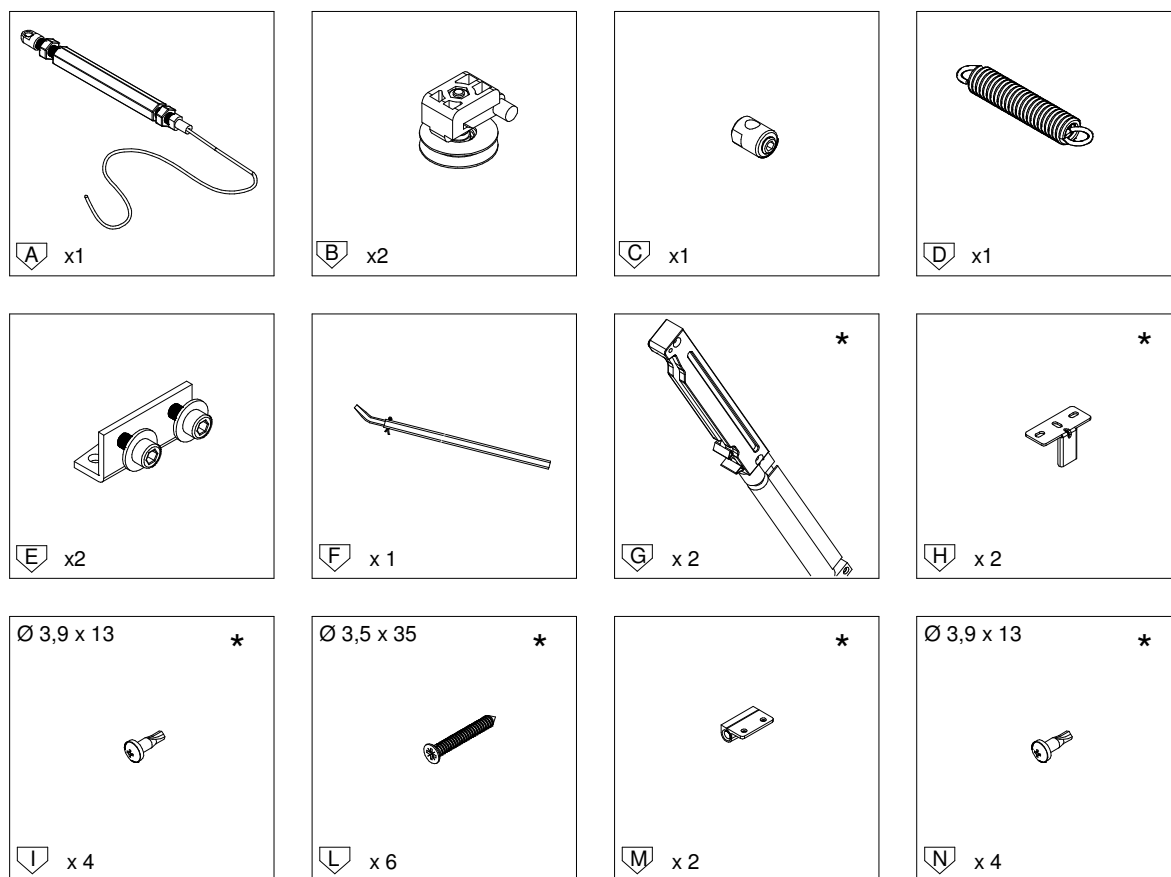


**ISTRUZIONE MONTAGGIO - SETUP INSTRUCTION  
INSTRUCTION MONTAGE- INSTRUCCIONES DE MONTAJE**

Apertura simultanea per anta doppia

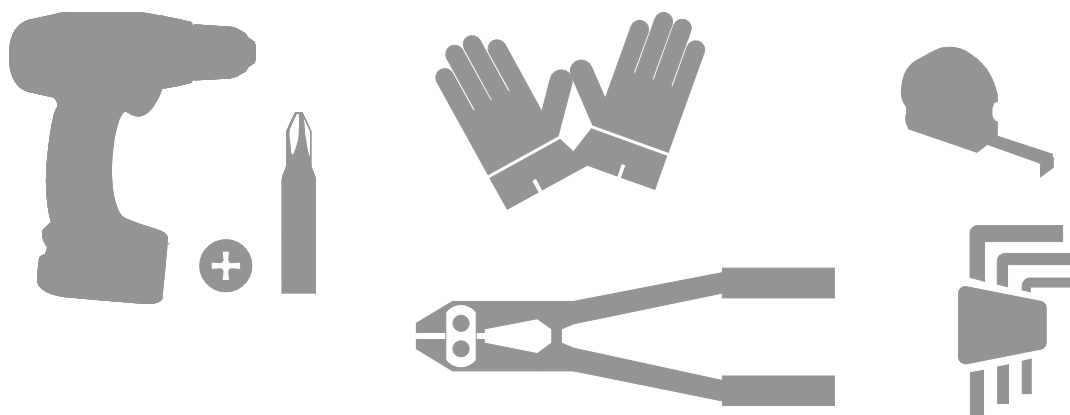
# CONTENUTO KIT | CONTENTS

Dotazione - Standard equipment - Equipement standard - Equipo standard



\* Optional "Esystop" Portata 80 kg / Optional "Esystop" 80 kg capacity / Optional 80 kg capacité / Capacidad 80 kg

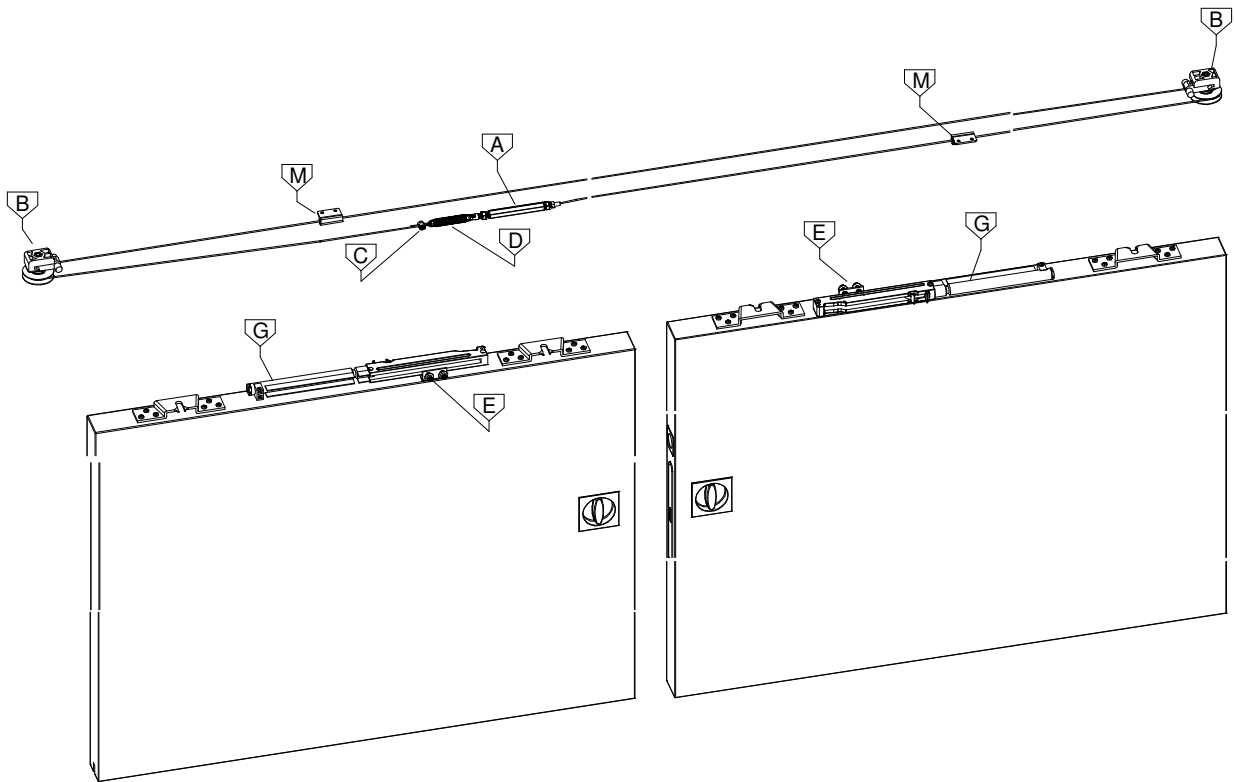
Attrezzatura - Tools - Outils - Herrajes



# CONTENUTO KIT | CONTENTS

Panoramica - Overall view - Vue d'ensemble - General

---

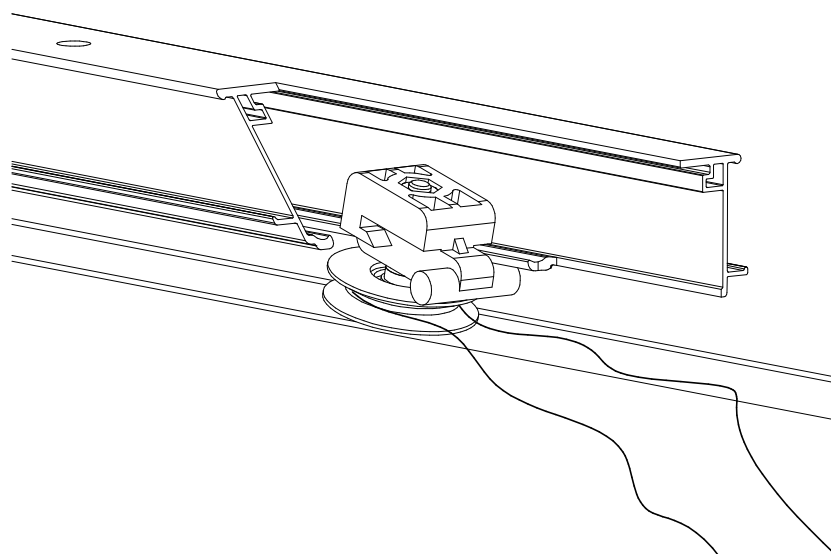
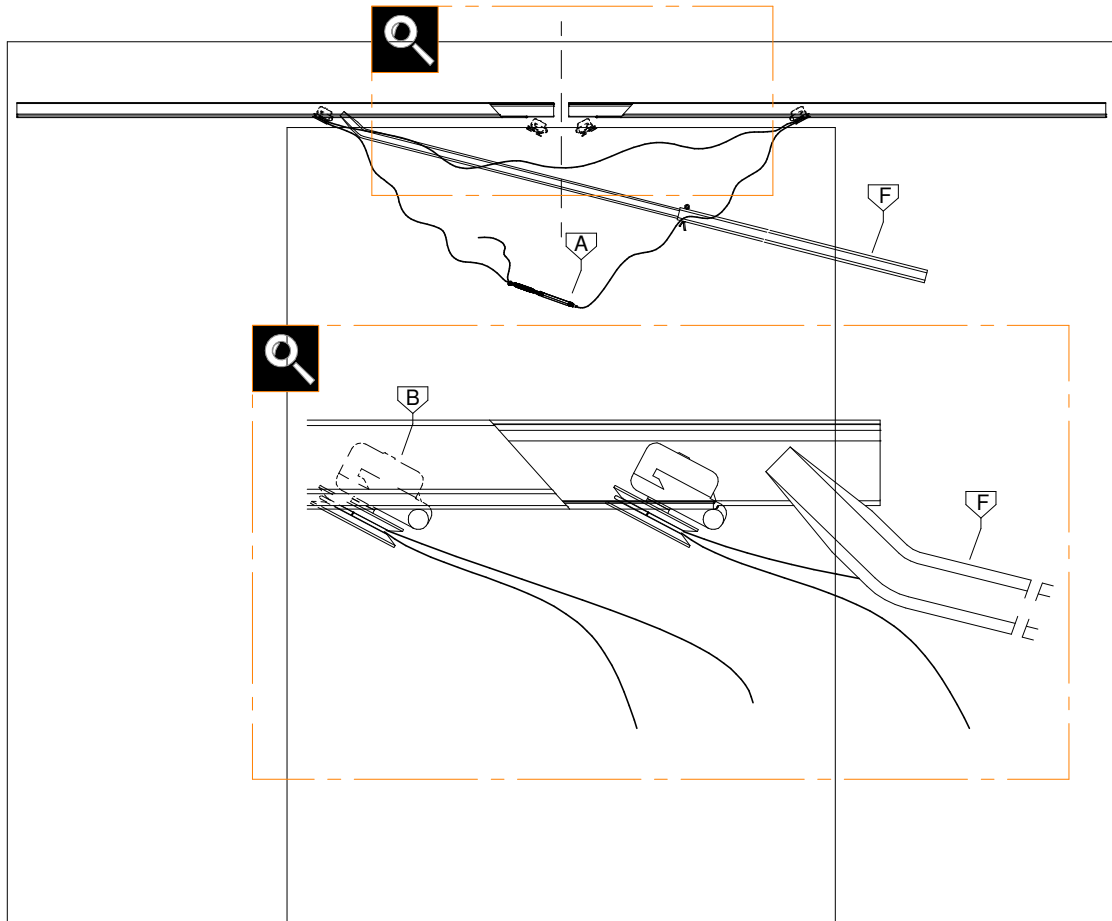


## INDICE - INDEX

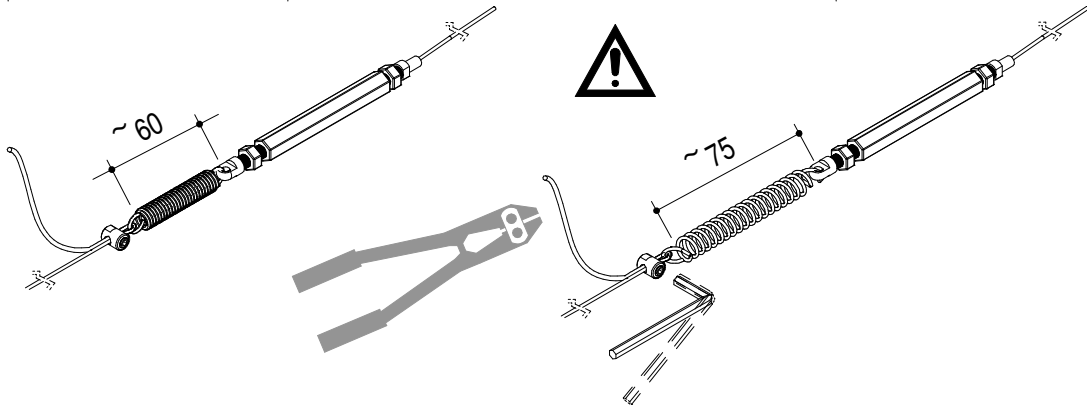
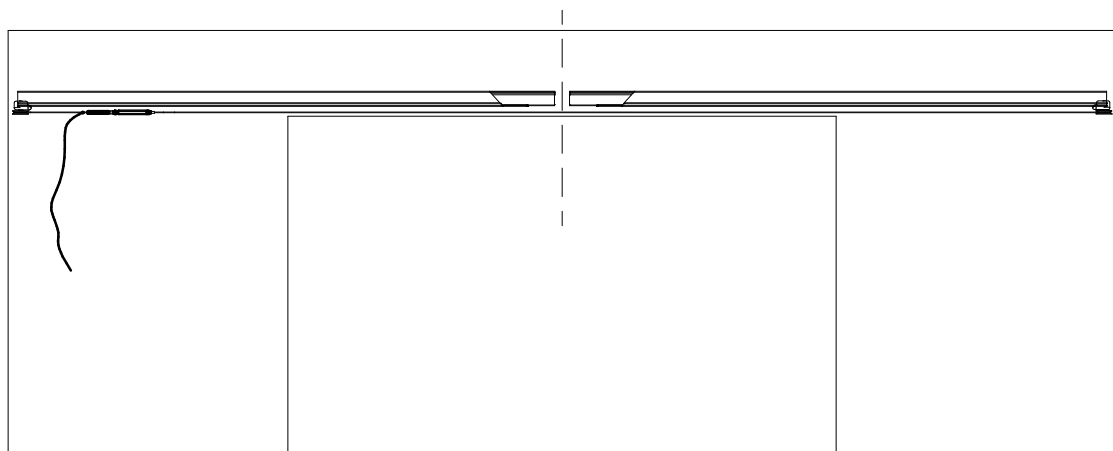
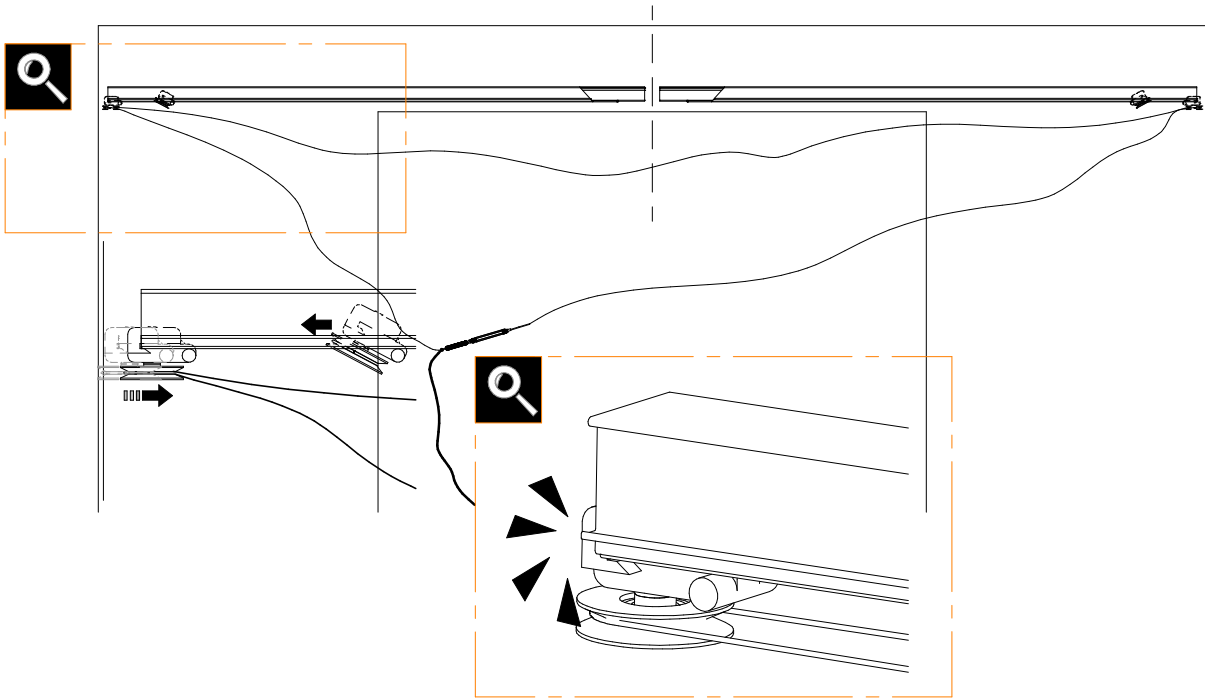
---

Installazione cavo - Cable installation	3-4
Installazione Easystop - Setup easystop	5-6
Installazione ante legno - Setup door leaf	7
Installazione attivatore e supporti cavo -	8-10

1.1

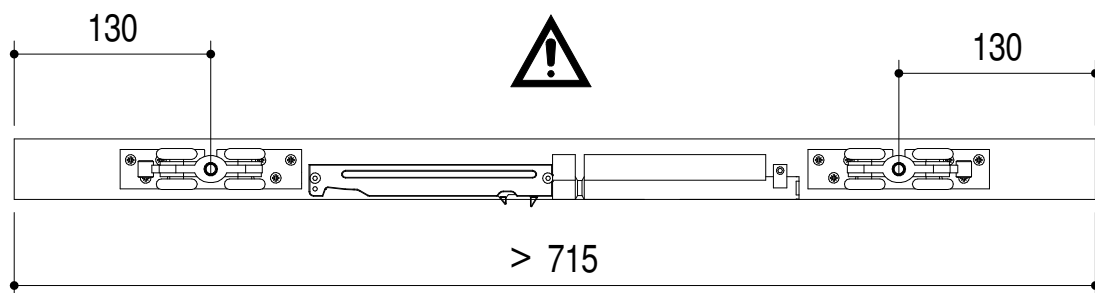
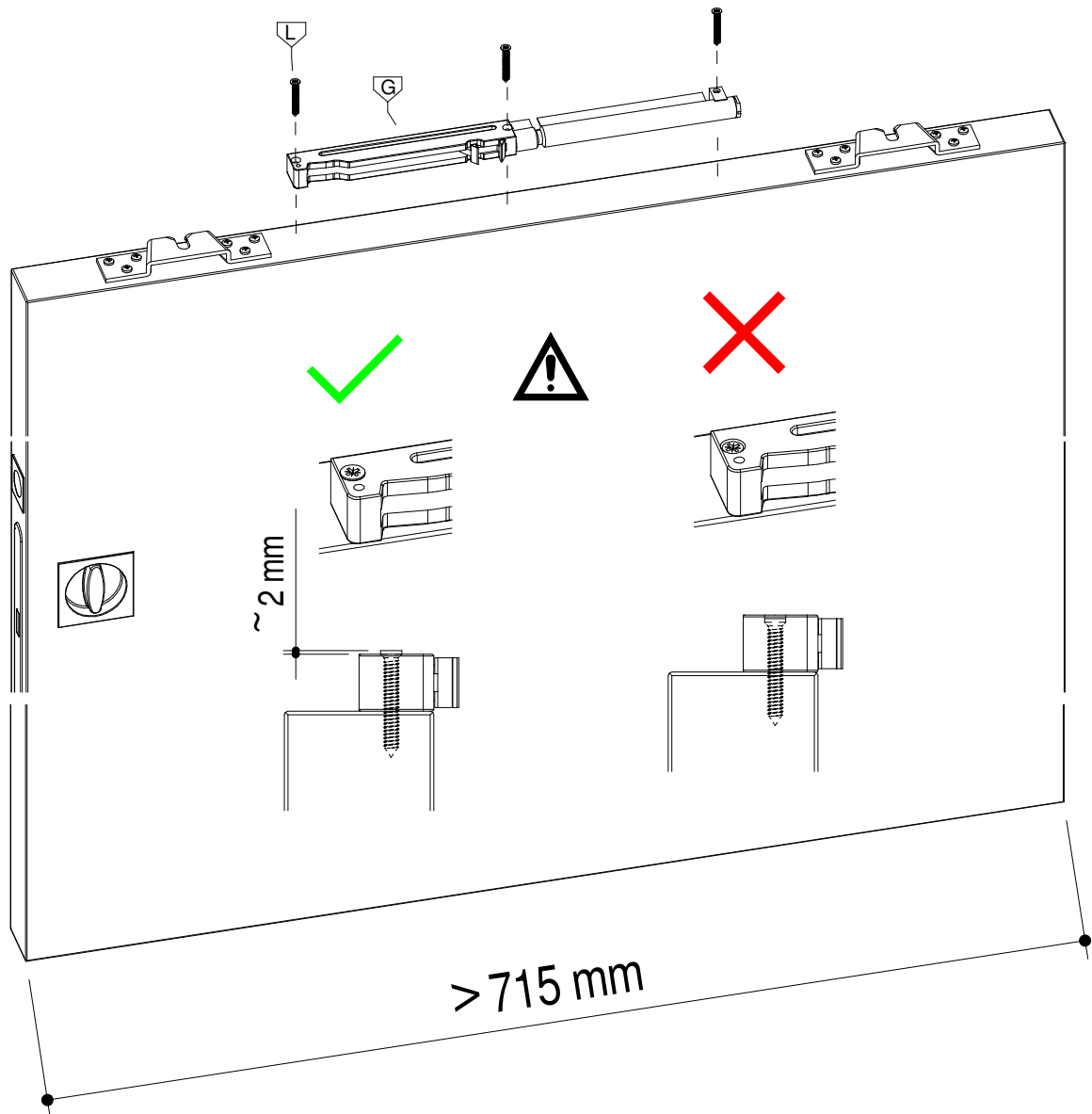


1.2

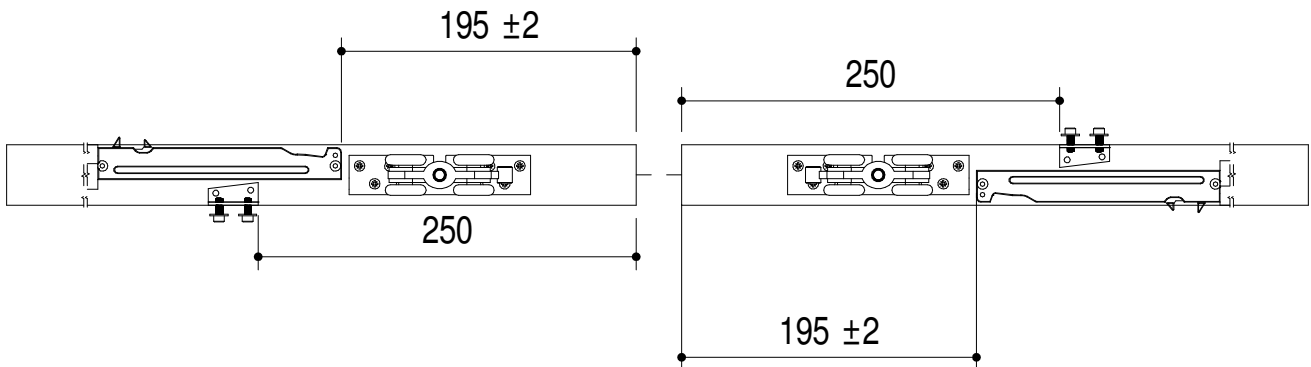
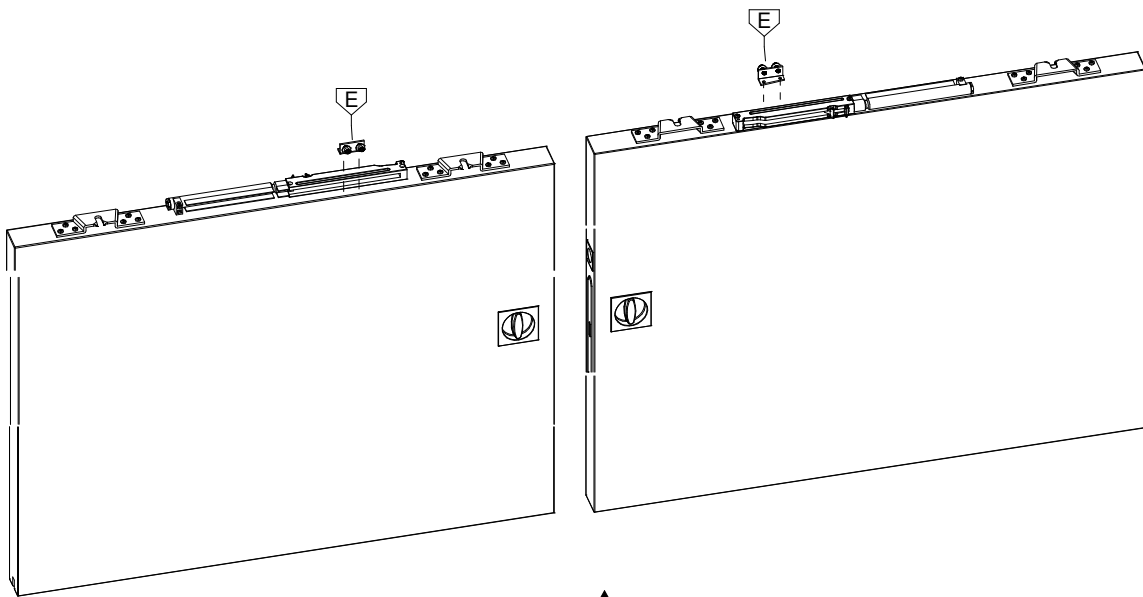
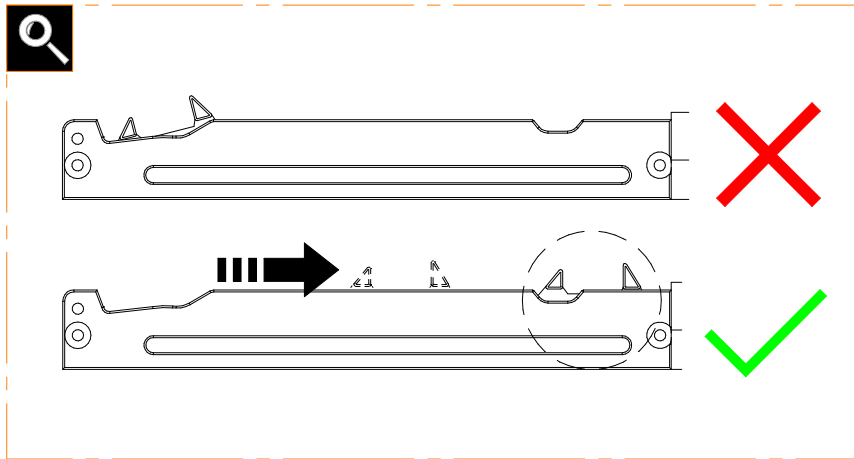


Subject to misprints, errors and technical modifications.  
All dimensione are in mm

2.1

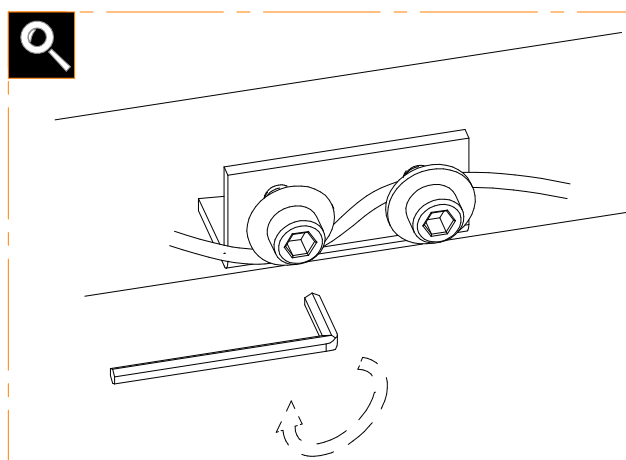
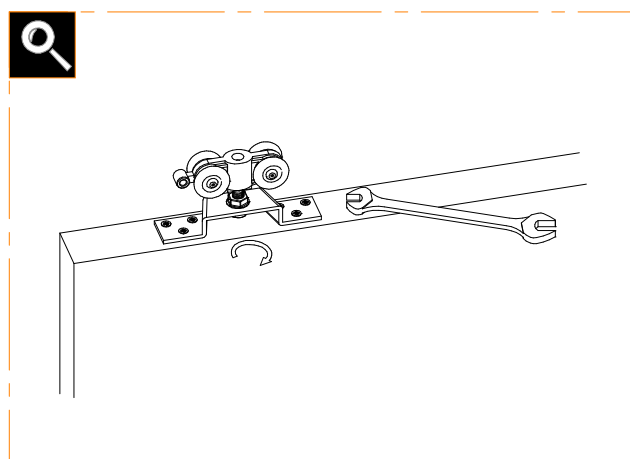
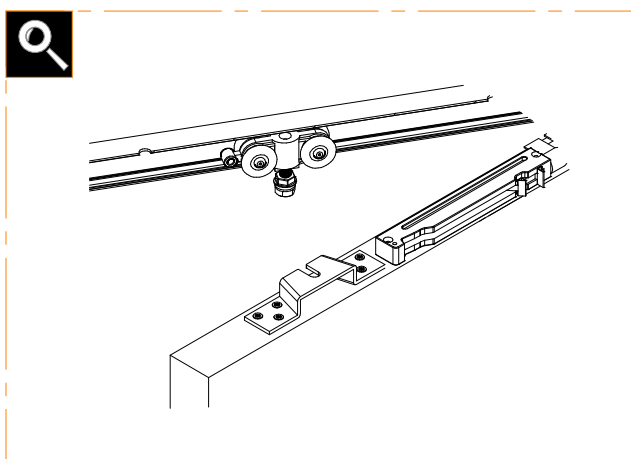
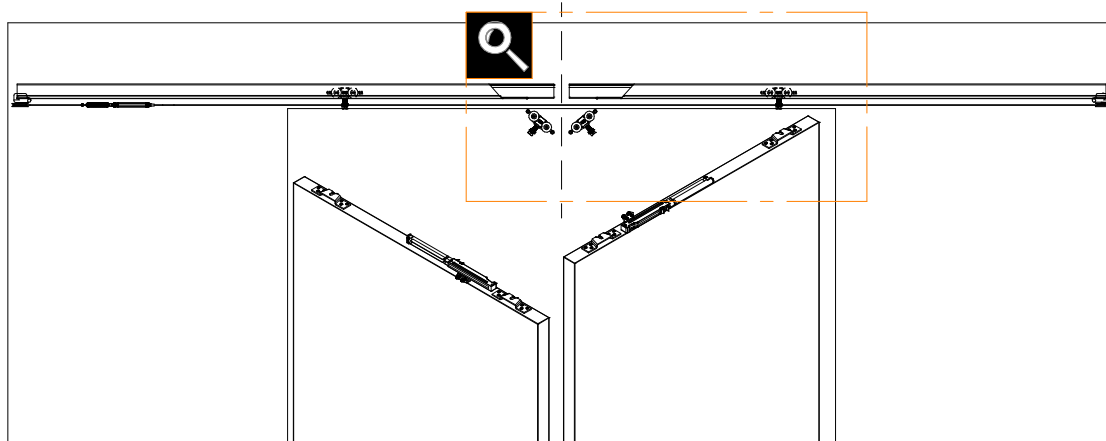


2.2



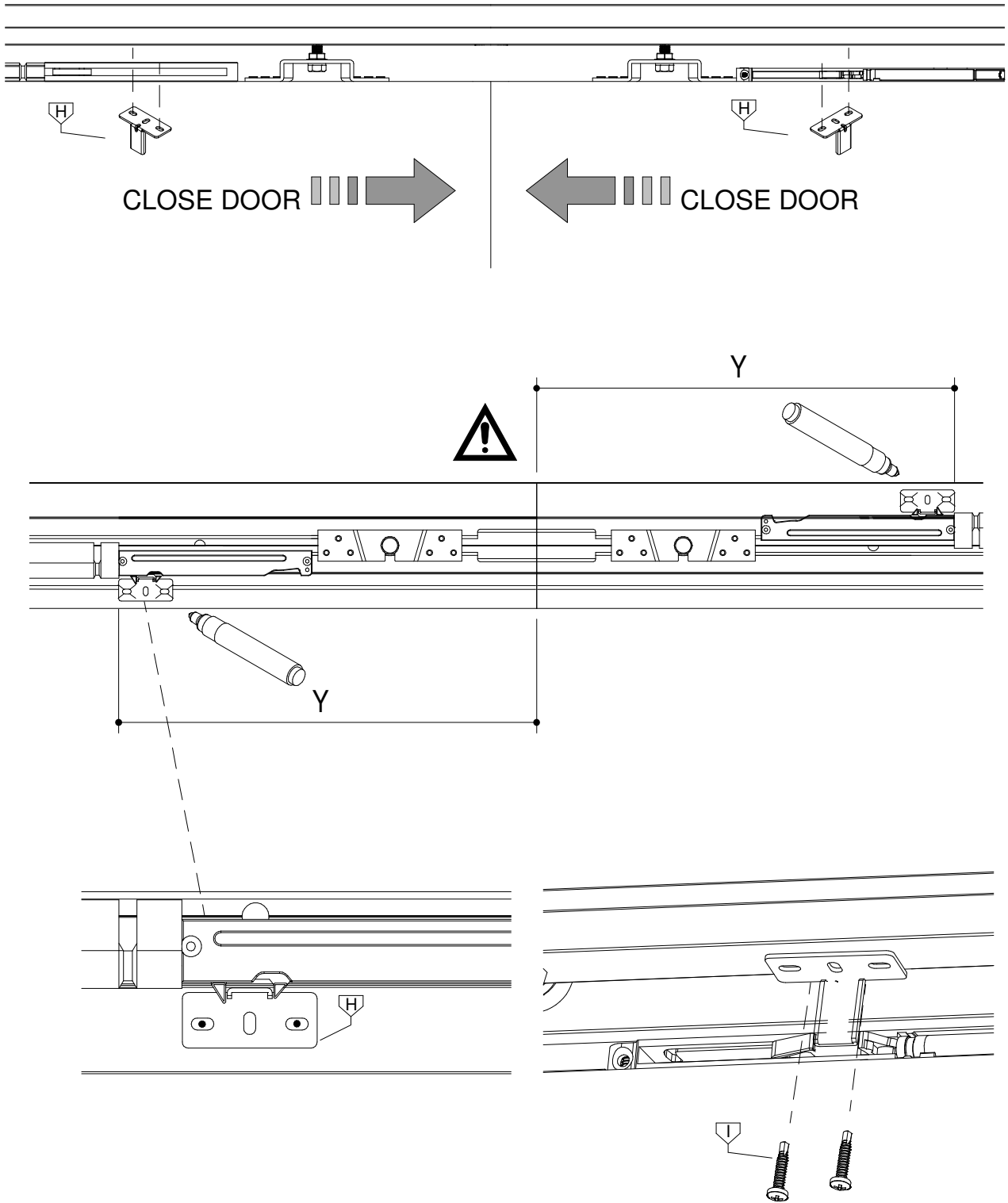
Subject to misprints, errors and technical modifications.  
All dimensione are in mm

3.1



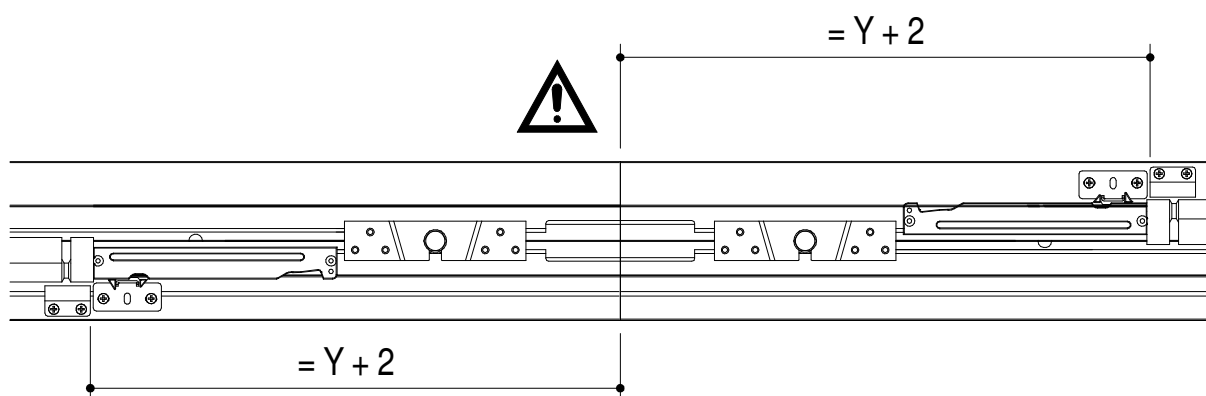
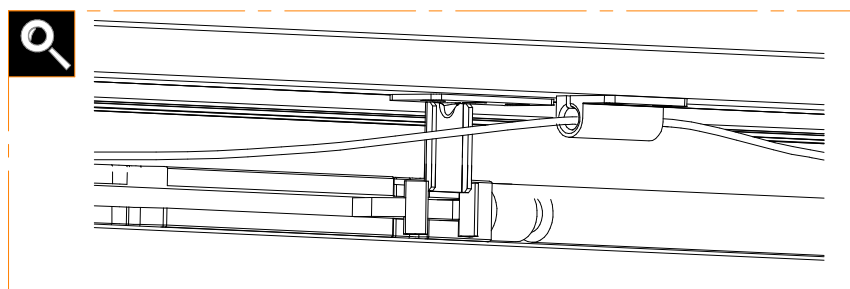
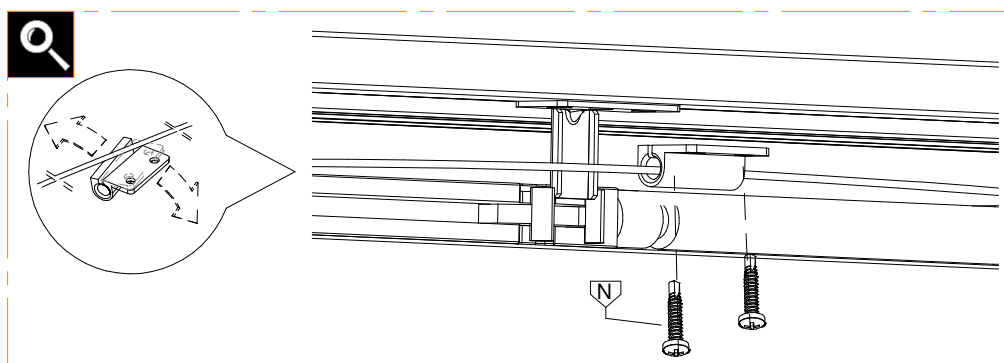
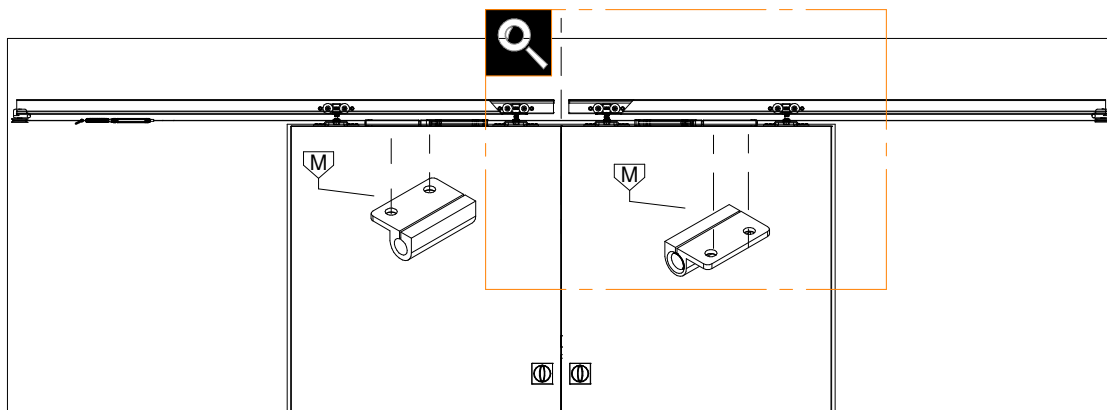


4.1

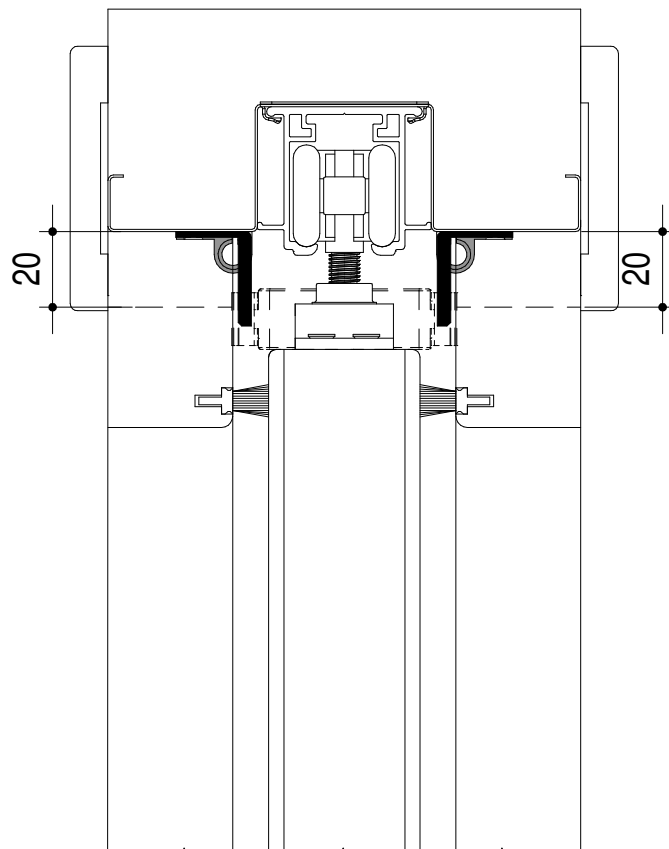
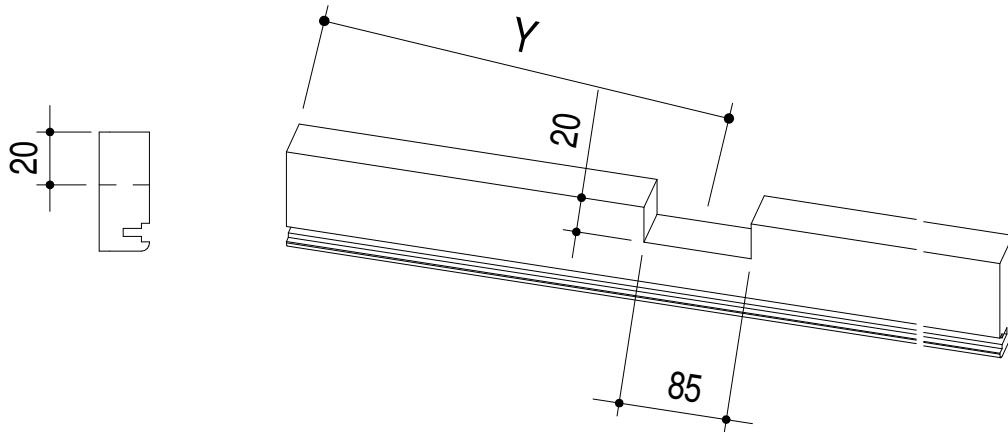


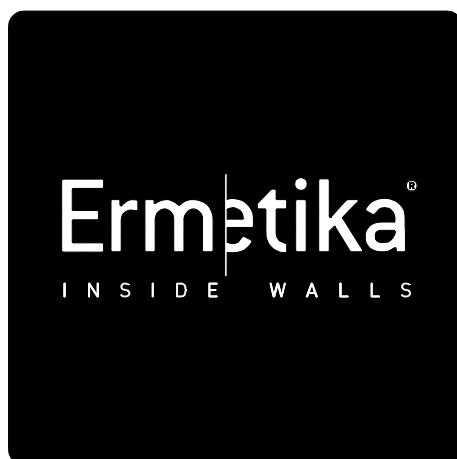
Subject to misprints, errors and technical modifications.  
All dimensione are in mm

4.2



4.3





T. +39 (0)883535781



info@ermetika.it



www.ermetika.it



<https://www.youtube.com/c/ermetikasrl>